

The SS7Watcher is a platform for supervision of signaling system (SS#7) in E1/T1 links, in real time, through high impedance probes.

- Compatible, flexible and easy maintained
- Open platform for developing Operations Support Systems (OSS).
- Low cost of acquisition, installation and maintenance.
- Modular and scalable system with standard components.



Applications

Due to its modular and flexible structure, the SS7Watcher can be:

- Protocol analyzer.
- On-line and Off-line call tracer.
- Mass Calling automatic detection
- CDR generation.
- Traffic and performance monitoring

LABCOM SS7Watcher - Analisador de Protocolos

(As informações apresentadas são fictícias, geradas através de simulação de tráfego telefônico)

```

A->B 18:45:16:070 95542185CDP572C9AE0001000000A00020907011091239821430A070110111632543500
BSN=021 BIB=1 FSN=084 FIB=0 LI=33 (NSU)
SIO = 85
SI (Service Indicator) 5 (ISUP)
SSF (Sub-service Field) 2 (National network)
Routing Label
OPC 09675
DPC 09677
SLS 12
Signalling information AE0001000000A00020907011091239821430A0701101116325435
CIC 0174
IAM (Initial Address)
Message Type
Nature of connection indicators
Satellite indicator 00b (No satellite circuit in the connection)
Continuity check indicator 00b (Continuity check not required)
Echo control device 0b (outgoing half echo control device not inclu
Forward Call Indicators
National/international call 0b (call to be treated as a national call)
End to end method 00b (No end to end method available)
Interworking indicator 0b (No interworking encountered)
End to end information 0b (No end to end information available)
ISDN user part 0b (ISDN User Part not used all the way)
ISDN user part preference 00b (ISDN User Part preferred all the way)
ISDN Access indicator 0b (Originating access non-ISDN)
SCCP method 00b (No indication)
DIC/DLC Call indicator (AB) 0b (normal call)
Calling Party's Category 09h
Length indicator 01
Value 0Ah (Ordinary calling subscriber)
  
```

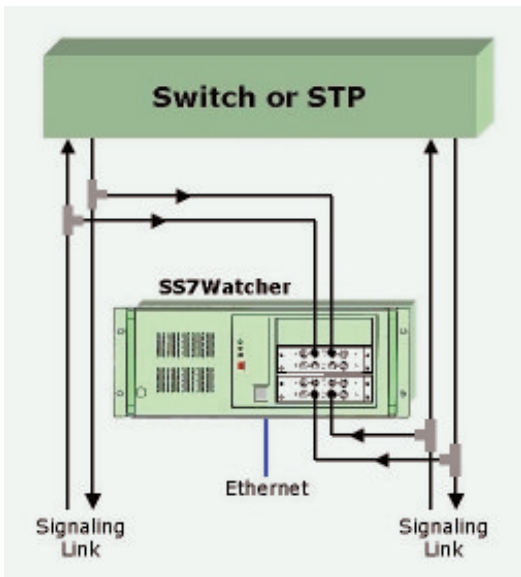
LABCOM Sistemas Ltda.
Av. Albino J. B. Oliveira, 918 - sala 4 - Barão Geraldo - CEP 13084-008
Campinas/SP - Tel: (19) 3289-7479 - contato@labcomsistemas.com.br

LABCOM SS7Watcher - Gerador de CDRs

(As informações apresentadas são fictícias, geradas através de simulação de tráfego telefônico)

Ass. A	T	ca	Ass.B	flds	Início	Duracao	Data	CS	CS	RE	JE	RS	JS	CC	B
1161234560	0	01	1932891234	0000	181152	000015	1108	0	01	----	----	R130	0153	10	+
1161234591	0	01	1932891234	0000	181130	000038	1108	0	01	R131	0017	----	----	10	+
1161234586	0	01	1932891234	0000	181120	000048	1108	0	01	R131	0027	----	----	10	+
1161234572	0	01	1932891234	0000	181200	000008	1108	0	01	----	----	R130	0170	10	+
1161234559	0	01	1932891234	0000	181146	000022	1108	0	01	----	----	R130	0163	10	+
1161234531	0	01	1932891234	0000	181151	000018	1108	0	01	R131	0008	----	----	10	+
1161234533	0	01	1932891234	0000	181130	000040	1108	0	01	----	----	R130	0196	10	+
1161234550	0	01	1932891234	0000	181148	000023	1108	0	01	----	----	R130	0150	10	+
1161234552	0	01	1932891234	0000	181141	000030	1108	0	01	----	----	R130	0199	10	+
1161234543	0	01	1932891234	0000	181135	000036	1108	0	01	----	----	R130	0161	10	+
1161234531	0	01	1932891234	0000	181128	000043	1108	0	01	----	----	R130	0195	10	+
1161234516	0	01	1932891234	0000	181139	000033	1108	0	01	R131	0035	----	----	10	+
1161234599	0	01	1932891234	0000	181132	000040	1108	0	01	R131	0032	----	----	10	+
1161234521	0	01	1932891234	0000	181140	000033	1108	0	01	R131	0013	----	----	10	+
1161234553	0	01	1932891234	0000	181146	000027	1108	0	01	----	----	R130	0158	10	+
1161234547	0	01	1932891234	0000	181135	000038	1108	0	01	----	----	R130	0167	10	+
1161234529	0	01	1932891234	0000	181152	000022	1108	0	01	R131	0018	----	----	10	+
1161234527	0	01	1932891234	0000	181149	000025	1108	0	01	R131	0041	----	----	10	+

LABCOM Sistemas Ltda.
Av. Albino J. B. Oliveira, 918 - sala 4 - Barão Geraldo - CEP 13084-008
Campinas/SP - Tel: (19) 3289-7479 - contato@labcomsistemas.com.br



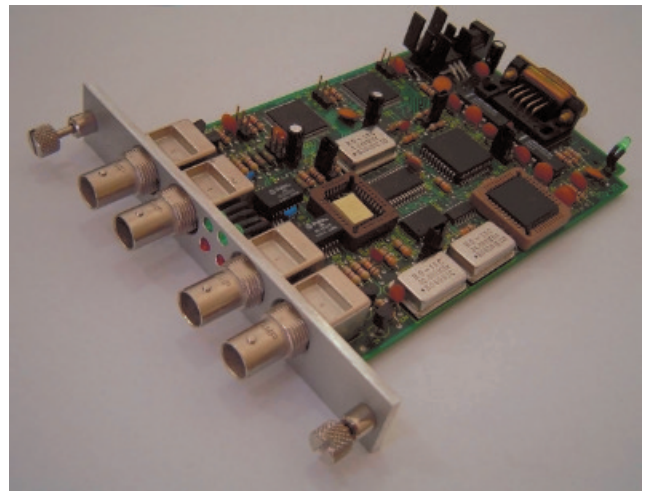
Functions

The SS7Watcher monitors the links with signaling channels and register and counts events related to the different protocols levels.

- Do not interfere in the signaling network (high impedance signal derivation).
- Independent of switching or PTS supplier.
- Multiple clients access to information via TCP/IP network.

DTSIGA board

- Own hardware for E1/T1 interface.
- 2 E1/T1 interfaces.
- 2 HDLC channels.
- 250 Kbps serial interface to host.
- Board processor.



SS7Watcher included services: WEB server, Syslog agent, SNMP agent

WEB server

- Protocol analyzer display.
- Monitoring data in HTML tables.
- Access to events log.
- Download of backup data files

Syslog agent

- Event notification protocol used by SS7Watcher.
- Reports events and counters.
- Integration with Syslog managers available in the market.

SNMP agent MIB.

- Signaling events notifications.
- Signaling counters readings.
- Other events and counters

Labcom Sistemas Ltda.

<http://www.labcomsistemas.com.br>
contato@labcomsistemas.com.br

Av. Albino J. B. Oliveira, 918, s. 4
Barão Geraldo - CEP: 13084-008 - Campinas/SP
Tel.: +55 19 3289-7479